

AE 7206 System wiring diagram

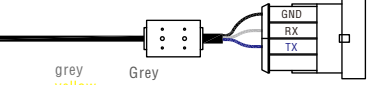
HKV YXD

Headless connection

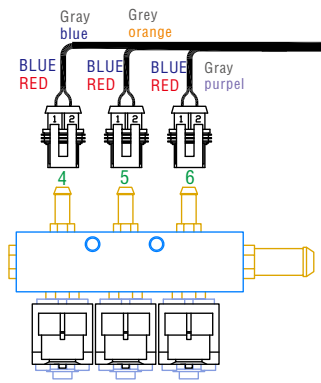
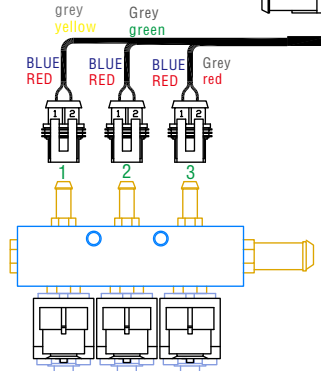


Debug line

Debug port



black GND
white RX
blue TX
red +12V



white red SW level signal
white green SW state
green red SW 12V
dark gray SW key

BLACK GND
RED Buzzer signal

BLACK MAP Negative pole
Red white Vacuum pressure
Green White Gas Pressure
Orange Black Gas Temperature
Red black MAP+12V

orange Water temperature signal

black power supply negative pole
Red pressure gauge power supply
White pressure gauge signal
Black negative pole

Grey purple oxygen

Purple before oxygen

Black solenoid valve negative pole
Blue Black Solenoid Valve Positive Pole

Oil Break Relay
Signal is introduced from the positive pole of solenoid valve

Fuel Injection Signal of Raw Vehicle
YELLOW INTA
GREEN INTB
RED INTC
Yellow black OUTA
GREEN black OUTB
RED black OUTC

Fuel Injector of Vehicle

Fuel Injection Signal of Raw Vehicle
Note: According to the original ECU Scrape the interface line, as shown on the right Connection method
blue INTA
orange INTB
purple INTC
blue black OUTA
orange black OUTB
purple black OUTC

Red battery +12V
Black Battery Negative Electrode
Brown Ignition Coil Signal

Red ignition key signal

The ignition key can be connected to the fuel injector of the original vehicle. Common end with original ECU